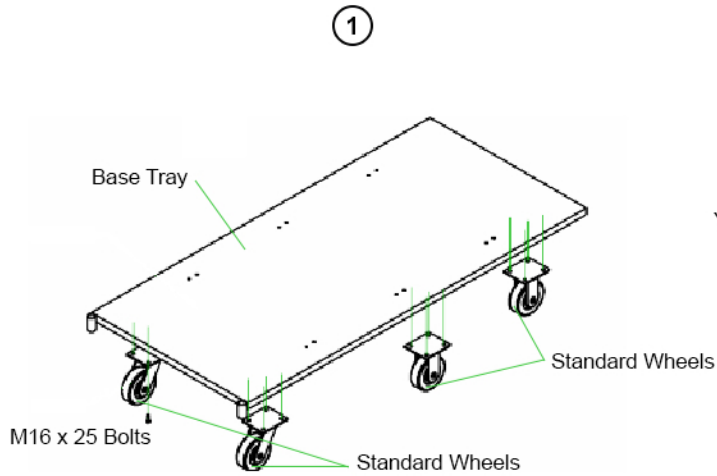
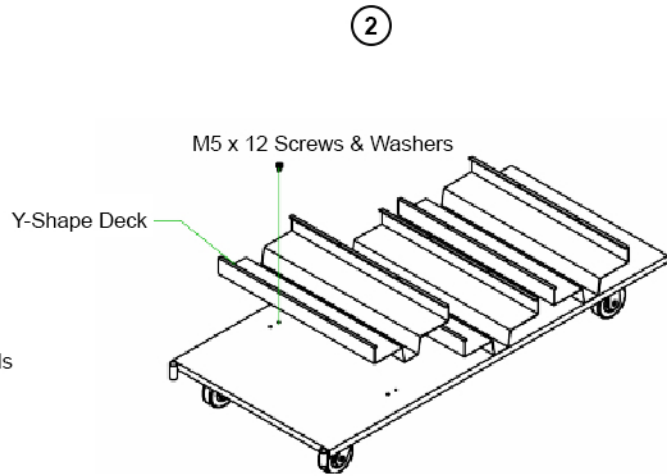


Assembly Instructions for 18 Post Flatbed Stanchion Cart

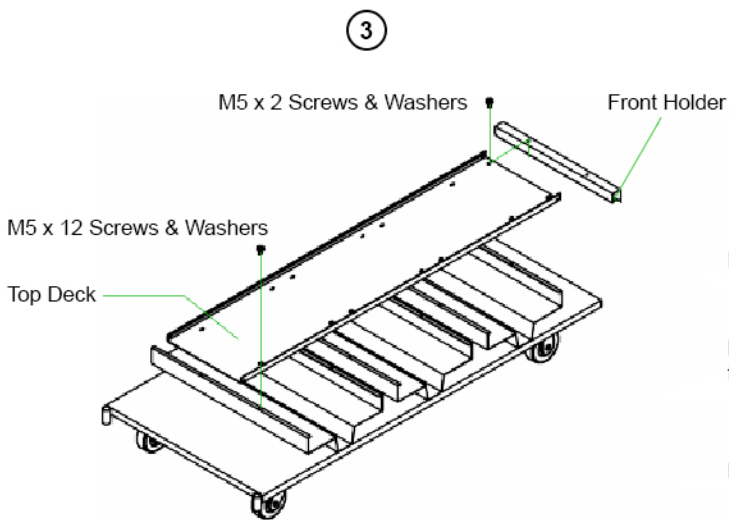
Hardware: M10 x 16 bolts, M5 x 26 screws & washers, M12 x 2 bolts, bungee cord, 1 Phillip Screw driver, 1 Wrench



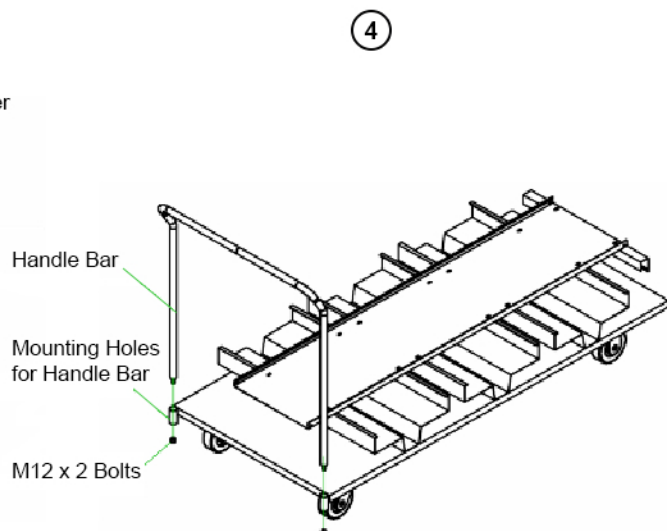
1. Attach 4 Wheels to the bottom of the Base Tray by using M10 bolts x 16 bolts. Make sure the wheel plates are facing in the correct direction.



1. Set the Base Tray on its wheels.
2. Using M5 x 12 screws and washers attach each Y-Shape Deck onto the Base Tray.
3. Tighten and check all screws.



1. Using M5 x 12 screws and washers attach the Top Deck onto the Y-shape Decks.
2. Using M5 x 2 screws and washers attach the Front Holder under the bottom of the Top Deck.
3. Tighten and check all screws.



1. Place the Handle Bar inside the mounting holes on the Base Tray.
2. Use M12 x 2 bolts to attach the Handle Bar.
3. Tighten and check all bolts.

Check all bolts/screws are tighten before use.