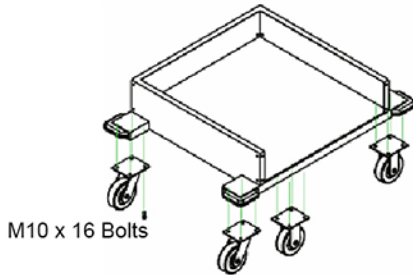


Assembly Instructions for 18 & 21 Post Stanchion Cart

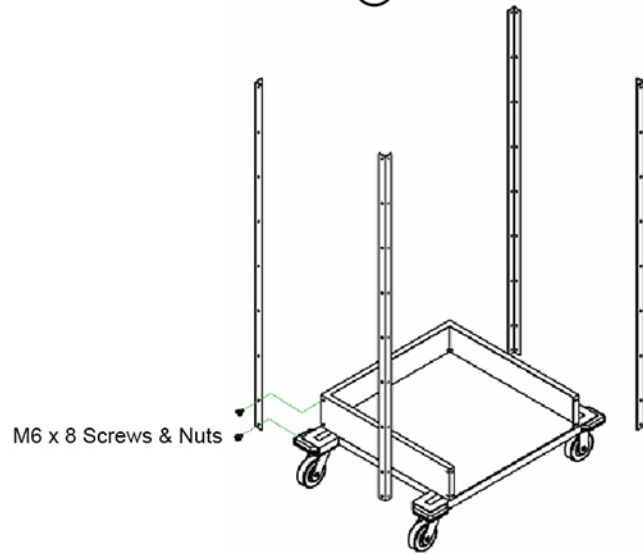
Hardware Included: M10 x 16 Bolts, M6 x 128 Screws & Nuts, 1 Phillip Screw Driver, 1 Wrench

①



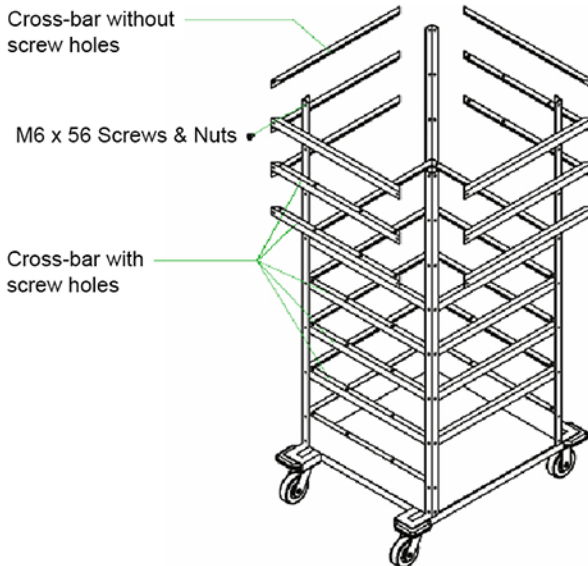
1. Attach 4 Wheels to the bottom of the Storage Tray by using M10 x 16 bolts make sure the wheel plates are facing in the correct direction.
NOTE: There are two locking wheels and two standard wheels. Attach both locking wheels at one end, not diagonally across from each other.

②



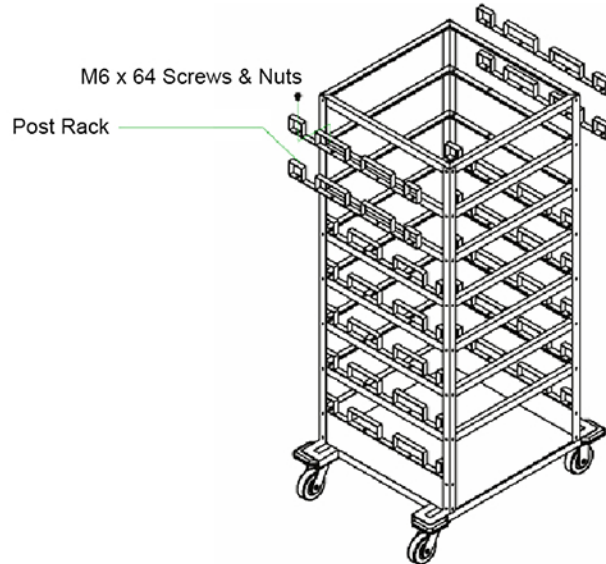
1. Set the storage tray on its wheels.
2. Using M6 x 8 screws & nuts attach each upright onto the Storage Tray, make sure the screws are tight.

③



1. Using M6 x 56 screws & nuts attach the cross bars onto the uprights.
NOTE: Keep these screws loose.

④



1. Using M6 x 64 screws & nuts attach each Post Rack to the Cross Bars.
NOTE: Keep these screws loose.
2. Once all Post Racks are attached tighten the Cross Bar screws.
3. Last tighten the Post Rack screws.

Check all bolts/screws are tighten before use.

NOTE: THIS CART IS DESIGNED FOR USE WITH 2.5" DIAMETER STANCHIONS ONLY, IF USED WITH 2" DIAMETER STANCHIONS WHICH INCLUDES MOST ROPE STANCHION MODELS THE STANCHIONS MAY SLIDE OUT OF THE RACKS CAUSING A RISK OF INJURY.