

POST AND ROPE STANCHIONS

SPECIFICATIONS

PRODUCT(S): ECONOMY FLAT, VIP TAPER AND CROWN DOMED
 *ALL DIMENSIONS AND WEIGHTS ARE APPROXIMATE

POST DIMENSIONS:

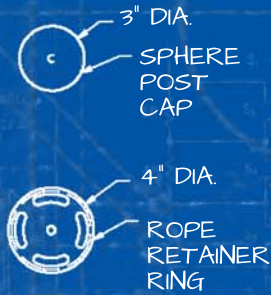
SIDE PROFILES

*ALL POSTS ARE SHOWN WITH ROYAL BASES

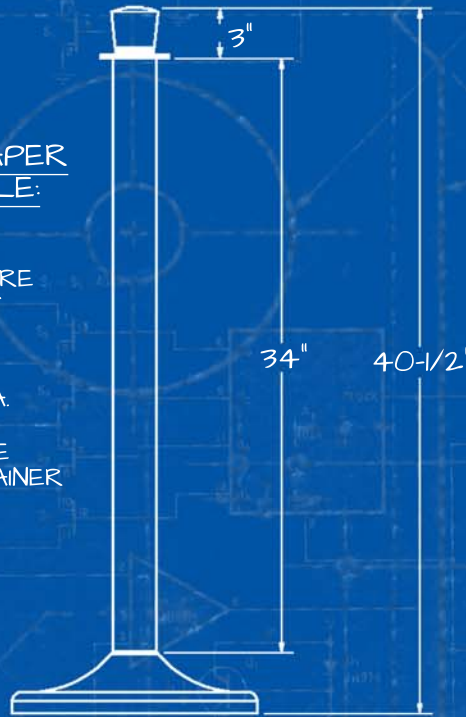
CROWN DOMED



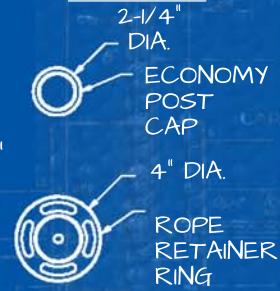
CROWN & TAPER TOP PROFILE:



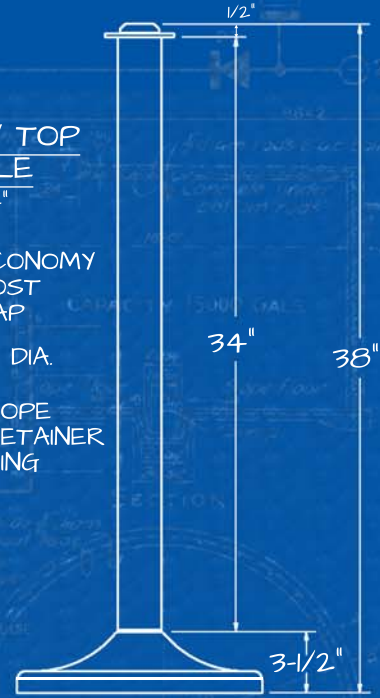
VIP TAPER



ECONOMY TOP PROFILE



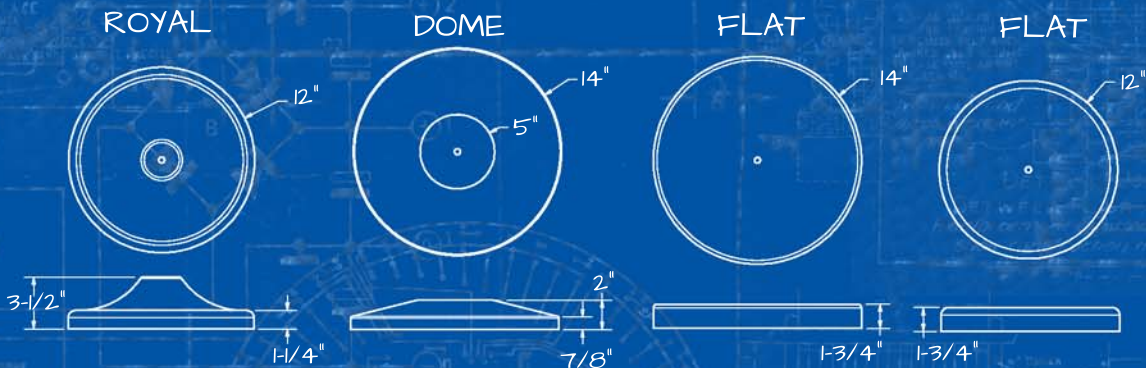
ECONOMY FLAT



BASE DIMENSIONS:

ALL BASES ARE SOLD WITH A 12" ROYAL OR FLAT BASE
 14" DOME & FLAT BASES ARE OPTIONAL

ALL BASES INCLUDE AN ANTI-SKID RUBBER RING



POST & BASE MATERIAL

POST:
 - 1/16" POLISHED 201SS MIRROR POST OR 1/16" STEEL POST WITH PLATED GOLD FINISHES

BASE WEIGHT:
 - FLAT DOME, & ROYAL: CONCRETE

OPTIONS:

- GOLD OR POLISHED MIRROR FINISHES
- 14" DOME AND FLAT BASES ARE OPTIONAL
- MIX AND MATCH POSTS AND BASES FOR VARIOUS STYLES

WEIGHTS:

TOTAL POST WEIGHT (BOXED) = 3.6 lbs.

TOTAL BASE WEIGHT:

- 12" ROYAL = 16 lbs. / 14" DOME = 22.8 lbs. / 14" FLAT = 18.5 lbs. / 12" FLAT = 13.5 lbs.